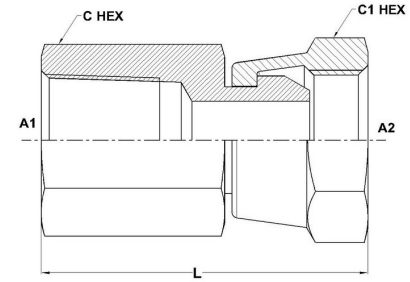
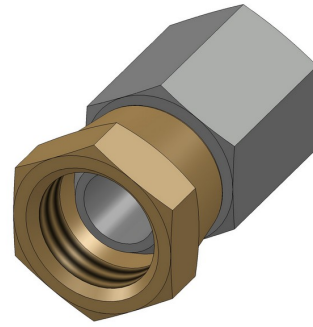




**HYDROMATIK**  
connections par excellence

## Tube Fittings & Adapters

**FP-FPS Straight 1405 Series** | SAE# 140131



PART NO. SIZE	A1 NPTF	A2 NPSM	A2 DRILL	L1 HEX	L LGTH	C HEX	C1 HEX
1405-02-02	1/8-27	1/8-27	0.150	0.88	1.02	0.562	0.562
1405-02-04	1/8-27	1/4-18	0.220	1.10	1.29	0.688	0.688
1405-04-02	1/4-18	1/8-27	0.150	1.19	1.33	0.688	0.562
1405-04-04	1/4-18	1/4-18	0.220	1.23	1.42	0.688	0.688
1405-04-06	1/4-18	3/8-18	0.340	1.27	1.48	0.688	0.875
1405-04-08	1/4-18	1/2-14	0.460	1.32	1.60	1.000	1.000
1405-06-04	3/8-18	1/4-18	0.220	1.29	1.48	0.875	0.688
1405-06-06	3/8-18	3/8-18	0.340	1.31	1.52	0.875	0.875
1405-06-08	3/8-18	1/2-14	0.460	1.50	1.78	1.000	1.000
1405-08-04	1/2-14	1/4-18	0.220	1.56	1.75	1.000	0.688
1405-08-06	1/2-14	3/8-18	0.340	1.45	1.66	0.875	0.875
1405-08-08	1/2-14	1/2-14	0.460	1.56	1.84	1.000	1.000
1405-08-12	1/2-14	3/4-14	0.635	1.62	1.97	1.250	1.250
1405-12-08	3/4-14	1/2-14	0.460	1.63	1.91	1.250	1.000

1405-12-12	3/4-14	3/4-14	0.635	1.62	1.97	1.250	1.250
1405-12-16	3/4-14	1-11-1/2	0.831	1.83	2.18	1.500	1.500
1405-16-12	1-11-1/2	3/4-14	0.635	1.90	2.25	1.500	1.250
1405-16-16	1-11-1/2	1-11-1/2	0.831	2.00	2.35	1.500	1.500
1405-20-20	1-1/4-11-1/2	1-1/4-11-1/2	1.087	1.98	2.40	1.875	1.875
1405-24-24	1-1/2-11-1/2	1-1/2-11-1/2	1.317	2.10	2.52	2.125	2.125
1405-32-32	2-11-1/2	2-11-1/2	1.802	2.13	2.55	2.625	2.625