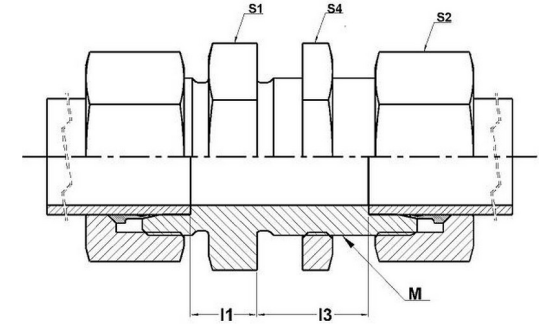
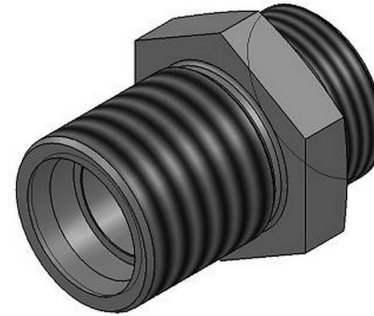




**HYDROMATIK**  
connections par excellence

## Metric Bite Type Fittings

### SB - STRAIGHT BULKHEAD COUPLING SB |



Part No.	Series	Tube OD	M	S1	S2	S4	l1	l3
SB 06-L	Light-250 Bar	6	M12 X 1.5	17	14	17	7	27
SB 08-L	Light-250 Bar	8	M14 X 1.5	19	17	19	8	27
SB 10-L	Light-250 Bar	10	M16 X 1.5	22	19	22	10	28
SB 12-L	Light-250 Bar	12	M18 X 1.5	24	22	24	10	29
SB 15-L	Light-250 Bar	15	M22 X 1.5	27	27	30	12	31
SB 18-L	Light-160 Bar	18	M26 X 1.5	32	32	36	13.5	32.5
SB 22-L	Light-160 Bar	22	M30 X 2.0	36	36	41	16.5	34.5
SB 28-L	Light-100 Bar	28	M36 X 2.0	41	41	46	18.5	35.5
SB 35-L	Light-100 Bar	35	M45 X 2.0	50	50	55	18.5	36.5
SB 42-L	Light-100 Bar	42	M52 X 2.0	60	60	65	19	36
SB 06-S	Heavy-630 Bar	6	M14 X 1.5	19	17	19	12	29
SB 08-S	Heavy-630 Bar	8	M16 X 1.5	22	19	22	13	29
SB 10-S	Heavy-630 Bar	10	M18 X 1.5	24	22	24	14.5	29.5
SB 12-S	Heavy-630 Bar	12	M20 X 1.5	27	24	27	14.5	30.5
SB 14-S	Heavy-400 Bar	14	M22 X 1.5	30	27	30	17	32

SB 16-S	Heavy-400 Bar	16	M24 X 1.5	32	30	32	16.5	31.5
SB 20-S	Heavy-400 Bar	20	M30 X 2.0	41	36	41	17.5	33.5
SB 25-S	Heavy-400 Bar	25	M36 X 2.0	46	46	46	20	35
SB 30-S	Heavy-250 Bar	30	M42 X 2.0	50	50	50	21.5	37.5
SB 38-S	Heavy-250 Bar	38	M52 X 2.0	65	60	65	22	37

Dimensions given approx. Fig. with tightened nut.

Part No. Given refers to complete assembly - Steel Part