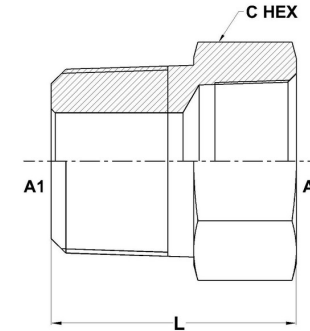
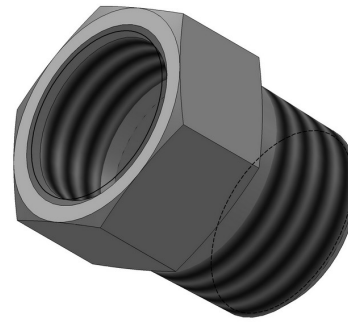




HYDROMATIK
connections par excellence

Tube Fittings & Adapters

MP-FP Reducer Bushing 5406 Series | SAE# 140140



PART NO.SIZE	A1 NPTF	A2 NPTF	A1 DRILL	L LGTH	C HEX
5406-04-02	1/4-18	1/8-27	0.281	0.85	0.625
5406-06-02	3/8-18	1/8-27	0.333	0.85	0.750
5406-06-04	3/8-18	1/4-18	0.406	0.85	0.750
5406-08-02	1/2-14	1/8-27	0.333	1.10	0.875
5406-08-04	1/2-14	1/4-18	0.431	1.10	0.875
5406-08-06	1/2-14	3/8-18	0.531	1.10	0.875
5406-12-02	3/4-14	1/8-27	0.333	1.17	1.125
5406-12-04	3/4-14	1/4-18	0.431	1.17	1.125
5406-12-06	3/4-14	3/8-18	0.571	1.17	1.125
5406-12-08	3/4-14	1/2-14	0.697	1.17	1.125
5406-16-02	1-11-1/2	1/8-27	0.333	1.36	1.375
5406-16-04	1-11-1/2	1/4-18	0.431	1.36	1.375
5406-16-06	1-11-1/2	3/8-18	0.571	1.36	1.375
5406-16-08	1-11-1/2	1/2-14	0.697	1.36	1.375
5406-16-12	1-11-1/2	3/4-14	0.907	1.36	1.375

5406-20-04	1-1/4-11-1/2	1/4-18	0.431	1.47	1.750
5406-20-06	1-1/4-11-1/2	3/8-18	0.571	1.47	1.750
5406-20-08	1-1/4-11-1/2	1/2-14	0.697	1.47	1.750
5406-20-12	1-1/4-11-1/2	3/4-14	0.907	1.47	1.750
5406-20-16	1-1/4-11-1/2	1-11-1/2	1.142	1.47	1.750
5406-24-02	1-1/2-11-1/2	1/8-27	0.333	1.57	2.000
5406-24-04	1-1/2-11-1/2	1/4-18	0.431	1.57	2.000
5406-24-06	1-1/2-11-1/2	3/8-18	0.571	1.57	2.000
5406-24-08	1-1/2-11-1/2	1/2-14	0.697	1.57	2.000
5406-24-12	1-1/2-11-1/2	3/4-14	0.907	1.57	2.000
5406-24-16	1-1/2-11-1/2	1-11-1/2	1.142	1.57	2.000
5406-24-20	1-1/2-11-1/2	1-1/4-11-1/2	1.486	1.57	2.000
5406-32-04	2-11-1/2	1/4-18	0.431	1.75	2.500
5406-32-06	2-11-1/2	3/8-18	0.571	1.75	2.500
5406-32-08	2-11-1/2	1/2-14	0.697	1.75	2.500
5406-32-12	2-11-1/2	3/4-14	0.907	1.75	2.500
5406-32-16	2-11-1/2	1-11-1/2	1.142	1.75	2.500
5406-32-20	2-11-1/2	1-1/4-11-1/2	1.486	1.75	2.500
5406-32-24	2-11-1/2	1-1/2-11-1/2	1.720	1.75	2.500
5406-40-32	2-1/2-8	2-11-1/2	2.204	2.37	3.000
5406-48-06	3-8	3/8-18	0.571	2.43	3.750