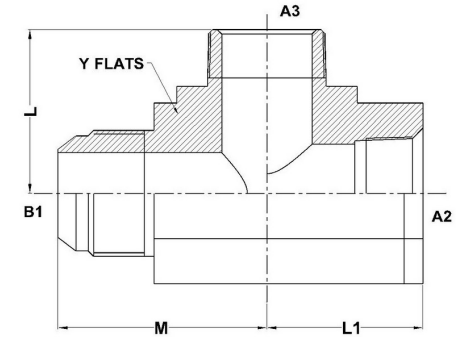
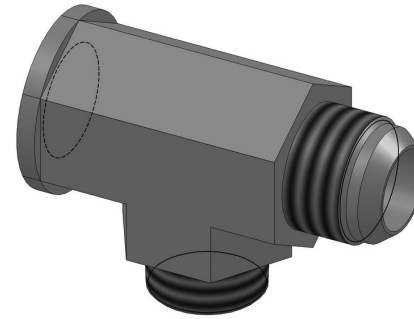




**HYDROMATIK**  
connections par excellence

## Tube Fittings & Adapters

### MJ-FP-MP Tee 2608 Series |



PART NO. SIZE	TUBE O.D.	B1 SAE 37	A2 NPTF	A3 NPTF	B1 DRILL	A3 DRILL	M LGTH	L1 LGTH	L LGTH	Y FLATS
2608-04-02-02-FG	1/4	7/16-20	1/8-27	1/8-27	0.172	0.188	1.08	0.66	0.78	0.562
2608-06-04-04-FG	3/8	9/16-18	1/4-18	1/4-18	0.297	0.281	1.23	0.88	1.09	0.750
2608-08-02-06-FG	1/2	3/4-16	1/8-27	3/8-18	0.391	0.406	1.25	0.81	1.22	0.750
2608-08-06-06-FG	1/2	3/4-16	3/8-18	3/8-18	0.391	0.406	1.42	1.02	1.22	0.875
2608-10-08-08-FG	5/8	7/8-14	1/2-14	1/2-14	0.484	0.531	1.64	1.23	1.47	1.062
2608-12-12-12-FG	3/4	1-1/16-12	3/4-14	3/4-14	0.609	0.719	1.89	1.36	1.59	1.312
2608-16-16-16-FG	1	1-5/16-12	1-11-1/2	1-11-1/2	0.844	0.938	2.17	1.62	1.70	1.625