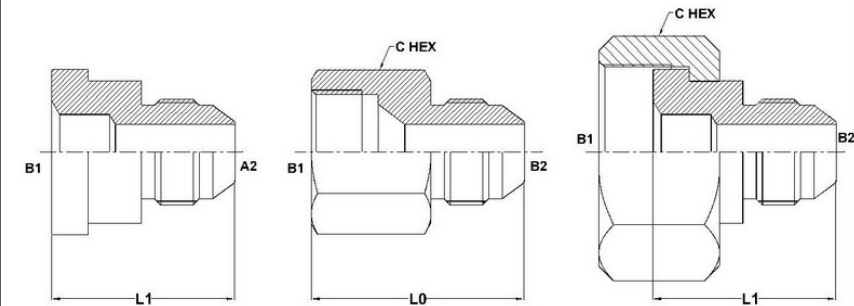
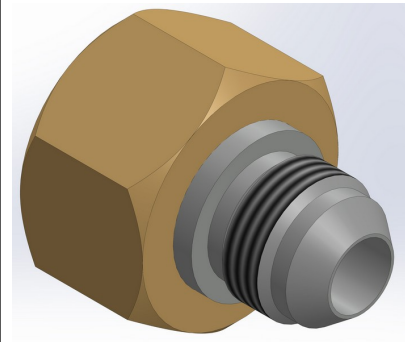
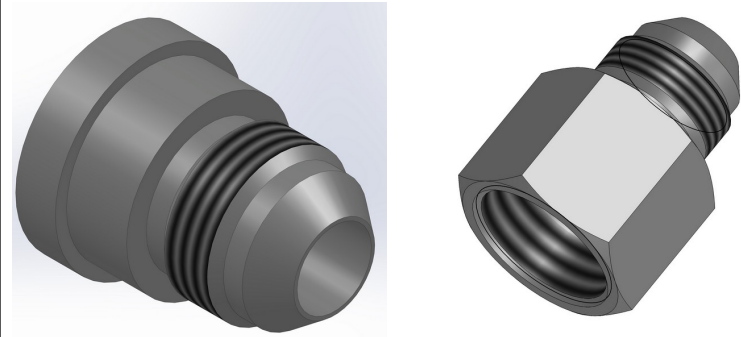




Tube Fittings & Adapters

FJ-MP-Straight Reducer 2406 Series |



PART NO. Non-swivel	PART NO. Insert only	PART NO. Nut and Insert	B1 TUBE O.D	B2 TUBE O.D	B1 SAE 37	B2 SAE 37	L1 LGTH	LO LGTH	C HEX
2406-03-04	---	--	3/16	1/4	3/8-24	7/16-20	--	1.11	0.500
2406-04-02	2406-04-02-IN	2406-04-02-2PC	1/4	1/8	7/16-20	5/16-24	0.75	1.04	0.563

2406-04-03	--	--	1/4	3/16	7/16-20	3/8-24	--	1.07	0.563
2406-04-04	--	--	1/4	1/4	7/16-20	7/16-20	--	1.14	0.563
2406-04-05	--	--	1/4	5/16	7/16-20	1/2-20	--	1.14	0.563
2406-04-06	--	--	1/4	3/8	7/16-20	9/16-18	--	1.15	0.625
2406-04-08	--	--	1/4	1/2	7/16-20	3/4-16	--	1.25	0.625
2406-05-04	--	--	5/16	1/4	1/2-20	7/16-20	--	1.16	0.625
2406-05-06	--	--	5/16	3/8	1/2-20	9/16-18	--	1.17	0.625
2406-05-08	--	--	5/16	1/2	1/2-20	3/4-16	--	1.27	0.812
2406-06-02	2406-06-02-IN	2406-06-02-2PC	3/8	1/8	9/16-18	5/16-24	0.87	1.07	0.688
2406-06-03	2406-06-03-IN	2406-06-03-2PC	3/8	3/16	9/16-18	3/8-24	0.90	1.10	0.688
2406-06-04	2406-06-04-IN	2406-06-04-2PC	3/8	1/4	9/16-18	7/16-20	0.97	1.17	0.688
2406-06-05	--	--	3/8	5/16	9/16-18	1/2-20	--	1.18	0.688
2406-06-06	--	--	3/8	3/8	9/16-18	9/16-18	--	1.18	0.688
2406-06-08	--	--	3/8	1/2	9/16-18	3/4-16	--	1.28	0.812
2406-06-10	--	--	3/8	5/8	9/16-18	7/8-14	--	1.38	0.937
2406-08-04	2406-08-04-IN	2406-08-04-2PC	1/2	1/4	3/4-16	7/16-20	1.00	1.30	0.875
2406-08-05	2406-08-05-IN	2406-08-05-2PC	1/2	5/16	3/4-16	1/2-20	1.00	1.30	0.875
2406-08-06	2406-08-06-IN	2406-08-06-2PC	1/2	3/8	3/4-16	9/16-18	1.00	1.31	0.875
2406-08-08	--	--	1/2	1/2	3/4-16	3/4-16	--	1.41	0.875
2406-08-10	--	--	1/2	5/8	3/4-16	7/8-14	--	1.51	0.937
2406-08-12	--	--	1/2	3/4	3/4-16	1-1/16-12	--	1.61	1.125
2406-10-04	2406-10-04-IN	2406-10-04-2PC	5/8	1/4	7/8-14	7/16-20	1.03	1.39	1.000
2406-10-05	--	--	5/8	5/8	7/8-14	1/2-20	1.03	1.39	1.000

2406-10-06	2406-10-06-IN	2406-10-06-2PC	5/8	3/8	7/8-14	9/16-18	1.03	1.40	1.000
2406-10-08	--	--	5/8	1/2	7/8-14	3/4-16	--	1.50	1.000
2406-10-12	--	--	5/8	3/4	7/8-14	1-1/16-12	--	1.71	1.125
2406-10-16	--	--	5/8	1	7/8-14	1-5/16-12	--	1.76	1.375
2406-12-04	2406-12-04-IN	2406-12-04-2PC	3/4	1/4	1-1/16-12	7/16-20	1.09	1.46	1.250
2406-12-06	2406-12-06-IN	2406-12-06-2PC	3/4	3/8	1-1/16-12	9/16-18	1.09	1.46	1.250
2406-12-08	2406-12-08-IN	2406-12-08-2PC	3/4	1/2	1-1/16-12	3/4-16	1.19	1.56	1.250
2406-12-10	--	--	3/4	5/8	1-1/16-12	7/8-14	--	1.66	1.250
2406-12-12	--	--	3/4	3/4	1-1/16-12	1-1/16-12	--	1.77	1.250
2406-12-16	--	--	3/4	1	1-1/16-12	1-5/16-12	--	1.82	1.375
2406-14-04	2406-14-04-IN	2406-14-04-2PC	7/8	1/4	1-3/16-12	7/16-20	1.12	1.52	1.375
2406-14-06	2406-14-06-IN	2406-14-06-2PC	7/8	3/8	1-3/16-12	9/16-18	1.13	1.53	1.375
2406-14-08	2406-14-08-IN	2406-14-08-2PC	7/8	1/2	1-3/16-12	3/4-16	1.23	1.63	1.375
2406-14-10	2406-14-10-IN	2406-14-10-2PC	7/8	5/8	1-3/16-12	7/8-14	1.33	1.73	1.375
2406-14-12	--	--	7/8	3/4	1-3/16-12	1-1/16-12	--	1.83	1.375
2406-14-16	--	--	7/8	1	1-3/16-12	1-5/16-12	--	1.88	1.375
2406-16-04	2406-16-04-IN	2406-16-04-2PC	1	1/4	1-5/16-12	7/16-20	1.22	1.57	1.500
2406-16-06	2406-16-06-IN	2406-16-06-2PC	1	3/8	1-5/16-12	9/16-18	1.22	1.57	1.500
2406-16-08	2406-16-08-IN	2406-16-08-2PC	1	1/2	1-5/16-12	3/4-16	1.27	1.67	1.500
2406-16-10	2406-16-10-IN	2406-16-10-2PC	1	5/8	1-5/16-12	7/8-14	1.38	1.77	1.500
2406-16-12	2406-16-12-IN	2406-16-12-2PC	1	3/4	1-5/16-12	1-1/16-12	1.47	1.88	1.500
2406-16-14	--	--	1	7/8	1-5/16-12	1-3/16-12	--	1.91	1.500
2406-16-20	--	--	1	1-1/4	1-5/16-12	1-5/8-12	--	1.97	1.688

2406-16-24	--	--	1	1-1/2	1-5/16-12	1-7/8-12	--	2.10	2.000
2406-20-06	2406-20-06-IN	2406-20-06-2PC	1-1/4	3/8	1-5/8-12	9/16-18	1.22	1.67	2.000
2406-20-08	2406-20-08-IN	2406-20-08-2PC	1-1/4	1/2	1-5/8-12	3/4-16	1.32	1.72	2.000
2406-20-10	2406-20-10-IN	2406-20-10-2PC	1-1/4	5/8	1-5/8-12	7/8-14	1.42	1.82	2.000
2406-20-12	2406-20-12-IN	2406-20-12-2PC	1-1/4	3/4	1-5/8-12	1-1/16-12	1.53	1.93	2.000
2406-20-14	2406-20-14-IN	2406-20-14-2PC	1-1/4	7/8	1-5/8-12	1-3/16-12	1.57	1.95	2.000
2406-20-16	2406-20-16-IN	2406-20-16-2PC	1-1/4	1	1-5/8-12	1-5/16-12	1.59	1.97	2.000
2406-20-24	--	--	1-1/4	1-1/2	1-5/8-12	1-7/8-12	--	2.15	2.000
2406-24-08	2406-24-08-IN	2406-24-08-2PC	1-1/2	1/2	1-7/8-12	3/4-16	1.56	1.85	2.250
2406-24-10	2406-24-10-IN	2406-24-10-2PC	1-1/2	5/8	1-7/8-12	7/8-14	1.56	1.95	2.250
2406-24-12	2406-24-12-IN	2406-24-12-2PC	1-1/2	3/4	1-7/8-12	1-1/16-12	1.63	2.05	2.250
2406-24-14	2406-24-14-IN	2406-24-14-2PC	1-1/2	7/8	1-7/8-12	1-3/16-12	1.63	2.08	2.250
2406-24-16	2406-24-16-IN	2406-24-16-2PC	1-1/2	1	1-7/8-12	1-5/16-12	1.63	2.10	2.250
2406-24-20	2406-24-20-IN	2406-24-20-2PC	1-1/2	1-1/4	1-7/8-12	1-5/8-12	1.69	2.15	2.250
2406-24-32	--	--	1-1/2	2	1-7/8-12	2-1/2-12	--	2.52	2.625
2406-32-08	2406-32-08-IN	2406-32-08-2PC	2	1/2	2-1/2-12	3/4-16	1.48	2.10	2.875
2406-32-12	2406-32-12-IN	2406-32-12-2PC	2	3/4	2-1/2-12	1-1/16-12	1.69	2.30	2.875
2406-32-16	2406-32-16-IN	2406-32-16-2PC	2	1	2-1/2-12	1-5/16-12	1.74	2.35	2.875
2406-32-20	2406-32-20-IN	2406-32-20-2PC	2	1-1/4	2-1/2-12	1-5/8-12	1.78	2.40	2.875
2406-32-24	2406-32-24-IN	2406-32-24-2PC	2	1-1/2	2-1/2-12	1-7/8-12	1.91	2.52	2.875