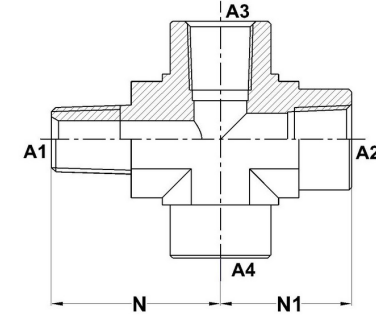
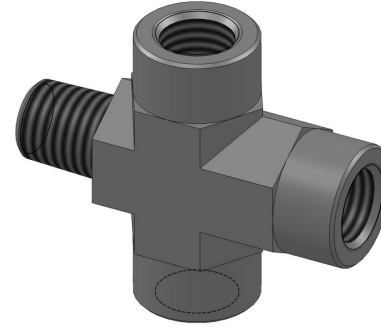




HYDROMATIK
connections par excellence

Tube Fittings & Adapters

MP-FP-FP-FP Cross 5655 Series |



PART NO.SIZE	A1 NPTF	A2 NPTF	A3 NPTF	A4 NPTF	A1 DRILL	N LGTH	N1 LGTH	Y FLATS
5655-04-04-04-04-FG	1/4-18	1/4-18	1/4-18	1/4-18	0.281	1.09	0.88	0.750
5655-06-06-06-06-FG	3/8-18	3/8-18	3/8-18	3/8-18	0.406	1.22	1.02	0.875
5655-08-08-08-08-FG	1/2-14	1/2-14	1/2-14	1/2-14	0.531	1.47	1.23	1.062
5655-12-12-12-12-FG	3/4-14	3/4-14	3/4-14	3/4-14	0.719	1.59	1.36	1.312
5655-16-16-16-16-FG	1-11-1/2	1-11-1/2	1-11-1/2	1-11-1/2	0.938	1.70	1.62	1.625
5655-20-16-08-08-FG	1-1/4-11-1/2	1-11-1/2	1/2-14	1/2-14	1.25	2.38	1.62	1.625