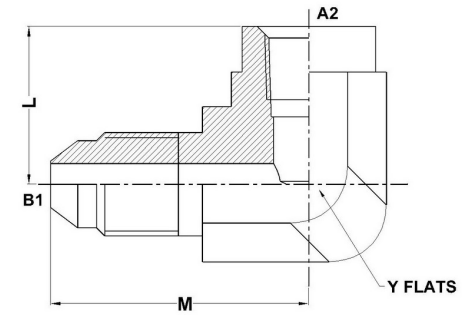
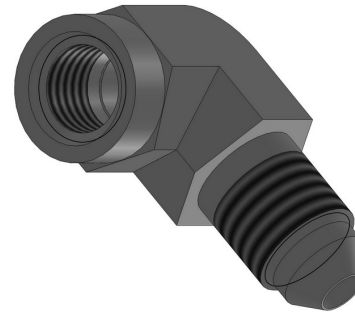




HYDROMATIK
connections par excellence

Tube Fittings & Adapters

MJ-FP 90° 2502 Series | SAE# 070203 / MS# 51506



PART NO. SIZE	TUBE O.D.	B1 SAE 37	A2 NPTF	B1 DRILL	M LGTH	L LGTH	Y FLATS
2502-02-02-FG	1/8	5/16-24	1/8-27	0.062	1.00	0.66	0.562
2502-03-02-FG	3/16	3/8-24	1/8-27	0.125	1.03	0.66	0.562
2502-04-02-FG	1/4	7/16-20	1/8-27	0.172	1.08	0.66	0.562
2502-04-04-FG	1/4	7/16-20	1/4-18	0.172	1.22	0.88	0.750
2502-04-06-FG	1/4	7/16-20	3/8-18	0.172	1.29	1.02	0.875
2502-04-08-FG	1/4	7/16-20	1/2-14	0.172	1.40	1.23	1.062
2502-05-02-FG	5/16	1/2-20	1/8-27	0.234	1.08	0.66	0.562
2502-05-04-FG	5/16	1/2-20	1/4-18	0.234	1.22	0.88	0.750
2502-05-06-FG	5/16	1/2-20	3/8-18	0.234	1.29	1.02	0.875
2502-06-02-FG	3/8	9/16-18	1/8-27	0.297	1.23	0.67	0.750
2502-06-04-FG	3/8	9/16-18	1/4-18	0.297	1.23	0.88	0.750
2502-06-06-FG	3/8	9/16-18	3/8-18	0.297	1.31	1.02	0.875
2502-06-08-FG	3/8	9/16-18	1/2-14	0.297	1.41	1.23	1.062
2502-08-04-FG	1/2	3/4-16	1/4-18	0.391	1.42	1.01	0.875

2502-08-06-FG	1/2	3/4-16	3/8-18	0.391	1.42	1.02	0.875
2502-08-08-FG	1/2	3/4-16	1/2-14	0.391	1.52	1.23	1.062
2502-08-12-FG	1/2	3/4-16	3/4-14	0.391	1.65	1.36	1.312
2502-10-06-FG	5/8	7/8-14	3/8-18	0.484	1.64	1.01	1.062
2502-10-08-FG	5/8	7/8-14	1/2-14	0.484	1.64	1.23	1.062
2502-10-12-FG	5/8	7/8-14	3/4-14	0.484	1.77	1.36	1.312
2502-12-08-FG	3/4	1-1/16-12	1/2-14	0.609	1.89	1.35	1.312
2502-12-12-FG	3/4	1-1/16-12	3/4-14	0.609	1.89	1.36	1.312
2502-12-16-FG	3/4	1-1/16-12	1-11-1/2	0.609	2.12	1.62	1.625
2502-14-12-FG	7/8	1-3/16-12	3/4-14	0.719	1.86	1.42	1.312
2502-16-12-FG	1	1-5/16-12	3/4-14	0.844	2.17	1.62	1.625
2502-16-16-FG	1	1-5/16-12	1-11-1/2	0.844	2.17	1.62	1.625
2502-16-20-FG	1	1-5/16-12	1-1/4-11-1/2	0.844	2.28	1.70	1.875
2502-20-20-FG	1-1/4	1-5/8-12	1-1/4-11-1/2	1.078	2.33	1.70	1.875
2502-24-24-FG	1-1/2	1-7/8-12	1-1/2-11-1/2	1.312	2.89	2.08	2.562
2502-32-32-FG	2	2-1/2-12	2-11-1/2	1.781	3.30	2.39	2.812